



中国认可
国际互认
检测
TESTING
CNAS L0823



201719001121

广州市微生物研究所

GUANG ZHOU INSTITUTE OF MICROBIOLOGY

检测报告

TEST REPORT

Report Number

KJ20200055

Name of Sample

Air Purifier

Applicant

LightAir Holding AB





中国认可
国际互认
检测
TESTING
CNAS L0823



201719001121

Test No.KJ20200055

GUANG ZHOU INSTITUTE OF MICROBIOLOGY
TEST REPORT

Date Received: Jun. 10, 2020
Date Analyzed: Jun. 13, 2020

Name of Sample	Air Purifier	Source of Sample	Delivery
Applicant	LightAir Holding AB	Client	Wilson Lam
Manufacturer	Sino Vantage Industrial Ltd.	Brand	LightAir
Type and Specification	CFPro900	Quantity of Sample	1PC
Date of Production	---	State of Sample	Machine
Batch Number	---	Packing of Sample	In box
Sample Picture			
Standard and Methods	<ol style="list-style-type: none"> 1. GB/T 18801-2015 Air cleaner 2. GB/T 4214.1-2017 The method for noise of household and similar electrical appliances-General requirements 		
Items of Analysis	Noise		
Remarks	---		

To be continued



中国认可
国际互认
检测
TESTING
CNAS L0823



201719001121

Test No.KJ20200055

GUANG ZHOU INSTITUTE OF MICROBIOLOGY

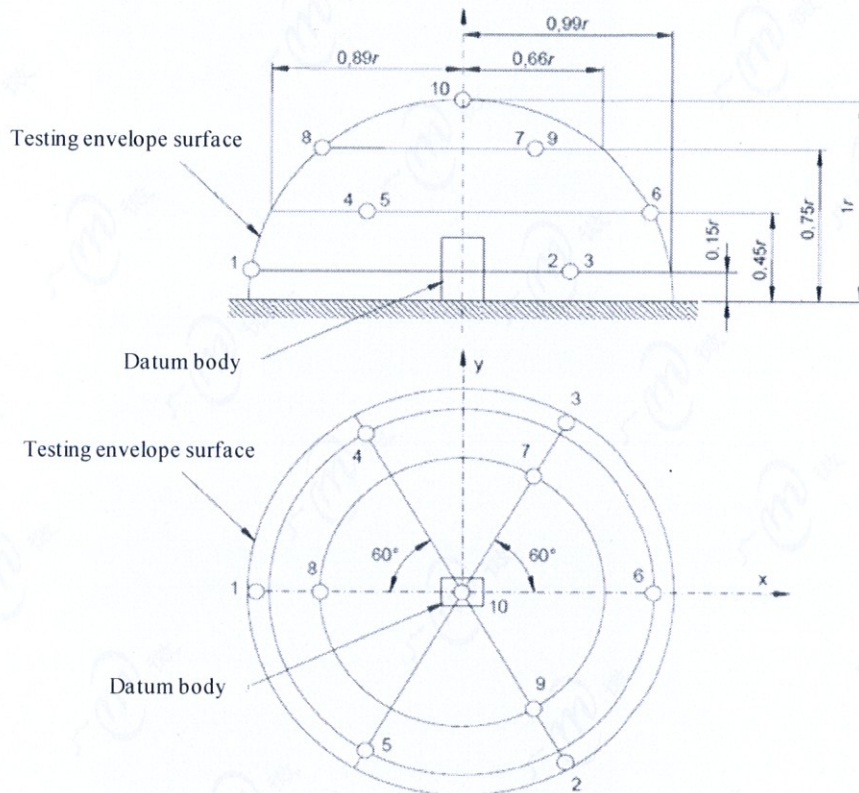
TEST REPORT

Date Received: Jun. 10, 2020

Date Analyzed: Jun. 13, 2020

Measuring of Noise:

1. Test environment: semi-anechoic chamber; Background noise: 15.3 dB(A)
2. Operational conditions of the machine
Just power on during the test.
3. Testing envelope surface: hemisphere envelope surface; testing radius: $r=1.5$ m. Test schematic diagrams are showed as follows:



Test Results

Number of Sample	Test Gear	Average Sound Pressure Level	Acoustic Power Level
		dB(A)	dB(A)
KJ20200055-1	Low grade	≤ 20.5	≤ 32.0
	Mid grade	31.9	43.4
	High grade	49.9	61.4

End of report

Editor 黄东浪 Checker 黄永良 Issuer 李冲 Date Reported





中国认可
国际互认
检测
TESTING
CNAS L0823



Statements

1. The report would be invalid under the following conditions: altered, added, deleted, copied, without the special seal for inspection or signatures by approver.
2. For the received sample, the sample information in the report is claimed by the applicant, the inspection unit is not responsible for its authenticity. The report is responsibility for the received sample only.
3. If there is any objection to the inspection report, it should be presented to the inspection unit within 15 working days from the issuance date, otherwise the report shall be deemed as having been accepted. Microbiological item is not subjected to retest.
4. The report and the name of the inspection unit shall not be used for product labels, advertisements, awards and merchandise publicity.
5. The items marked with “*” in the report are not accredited by CNAS or CMA, The items marked with “#” are accredited by CNAS, The items marked with “+” are accredited by CMA.
6. The test data and results of items which are not accredited by CMA, only used as scientific research, teaching or internal quality control.
7. Any ambiguity by the language which used in the report, the Chinese shall prevail.

Contact Address, 1Jiantashan Road, Huangpu District, Guangzhou City, Guangdong Province

Test Address, (only fill in when it's different from the contact address)

Postal Code, 510663

Tel., (8620)61302671

URL, <http://www.ggtest.com.cn>